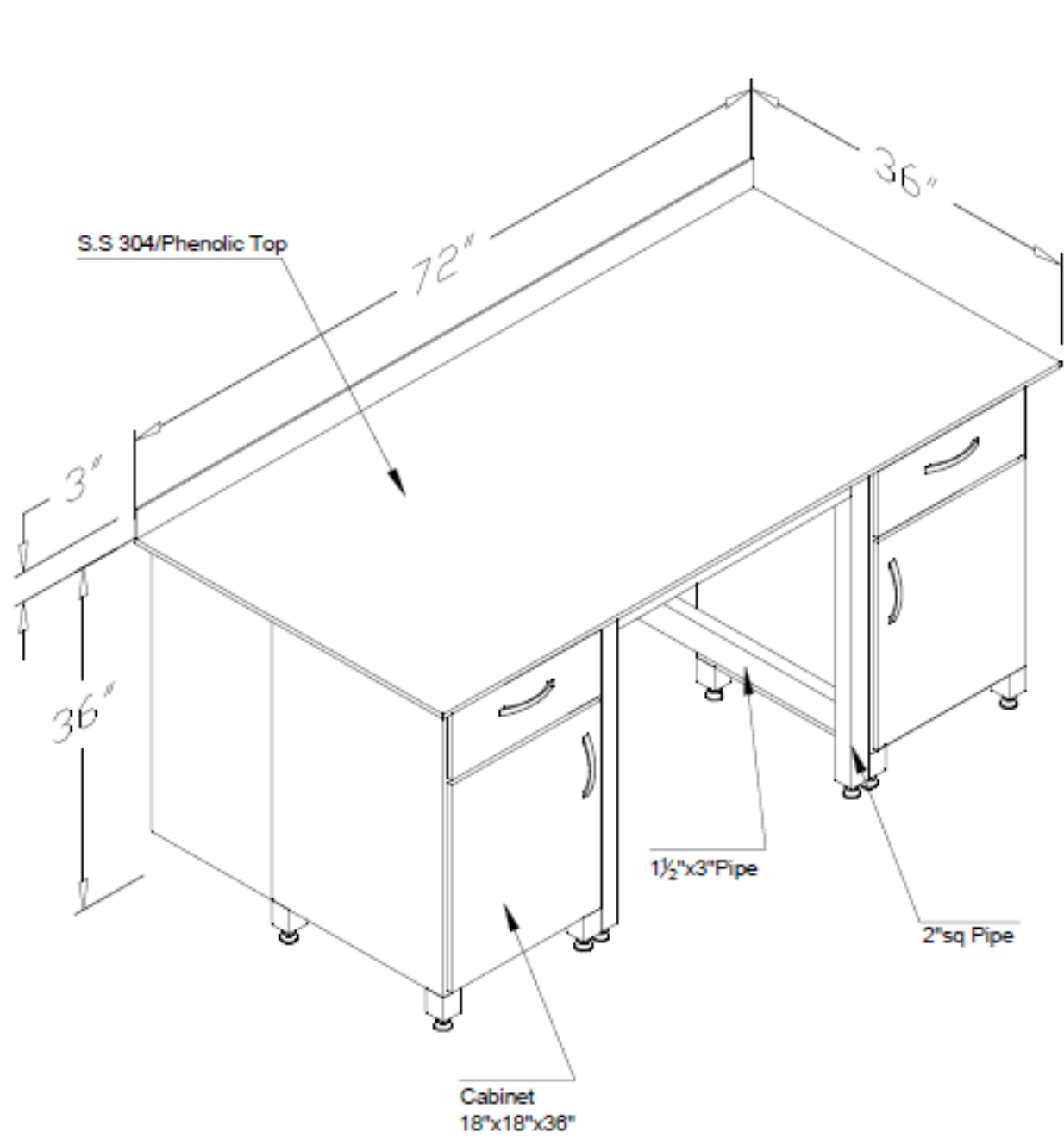


**SPECIFICATIONS**  
**RFQ Notice**  
**SUPPLY OF LAB FURNITURE**

Description/Specification			Qty	Unit A/c
Sr.	Description	Qty		
1	<p><b>Lab Table (As per design)</b>  <b>Size:</b> 6'x36"x36" (LxWxH)</p> <p><b>a(i) Floor Standing Cabinet (02 Nos.)</b>  <b>Size:</b> 18"x18"x36" (LxWxH)  <b>Material:</b> MS sheet &amp; Pipe  <b>Specification:</b>  Frame is made of 1.5" Sq 18 Swg MS Pipe  Cabinet comprise of 1 drawer and 1 door.  Cabinet bodies, drawer bodies, shelves, drawer heads &amp; doors are made in 1mm thick Cold Rolled Steel.  Door and drawer, when closed, create an overall flush face  Door and drawer pull are mounted on 4"/5" center, offering a comfortable hand grip and be securely fastened to door &amp; drawer  Spring loaded knuckle type hinges will be used  Hinges will be attached with 2 screws each with cabinet body and door.  Heavy duty, fully extended zinc plated ball bearing slides  3"-6" high, 1.5" sq pipe footing with 12mm dia bolt and rubber padded level adjusters</p> <p><b>ii Phenolic Resin Working Top (ChemSurf)</b>  <b>Thickness:</b> 12.7 mm x 36" wide    Chemical resistant, scratch resistant and acid resistance, antibacterial, impact resistance, UV protection, high stability, water Resistant, Heat and electrical resistant</p>	3 Sets.		
2	<p><b>Lab Table</b>  <b>Size:</b> 6'x36"x36" (LxWxH)</p> <p><b>a(i) Floor Standing Cabinet (02 Nos.)</b>  <b>Size:</b> 18"x18"x36" (LxWxH)</p>	3 Sets.		

ii	<p><b>Material:</b> MS sheet &amp; Pipe</p> <p><b>Specification:</b> Specification are same as above mentioned</p> <p><b>Stainless Steel Top</b> 16 Swg SS 304 Sheet</p> <p><b>Product Finish</b> All joints are argon welded, edges are properly finished.</p> <p><b>Paint</b> All MS items are properly phosphated &amp; customized Powder coated paint.</p>			
----	--	--	--	--

**Design:**



<p><b>Pre-fabricated fiber glass cabinet:</b>  A pre-fabricated guard post made of Fiber glass of size 6’x6’x7’, completed with 3x no Aluminum windows of size 1’x2’ with an appropriate size of door opening, one fan, one light and a drinking water connection. All raw materials shall be weather &amp; water proof and have enough space to accommodate a chair and an office table. Color will be decided as per end user requirement. <b>(Site visit essential before submission of quotation)</b></p>	01	Nos
<p>Refurbishing of visitor room <b>(Site visit essential before submission of quotation)</b></p>	1	Job